

# Issho Console

# K I N G

## Assembly

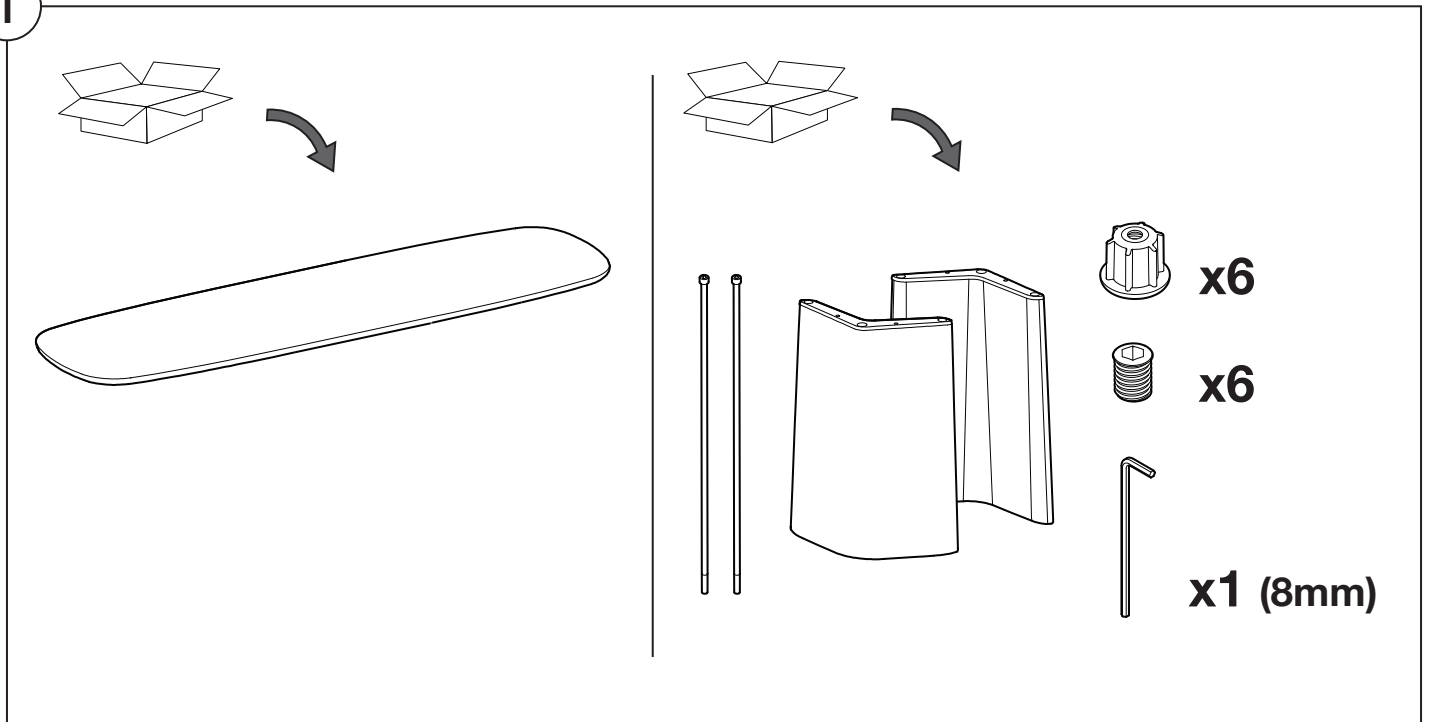
Two People are required for Safe Assembly.

### Opening Boxes:

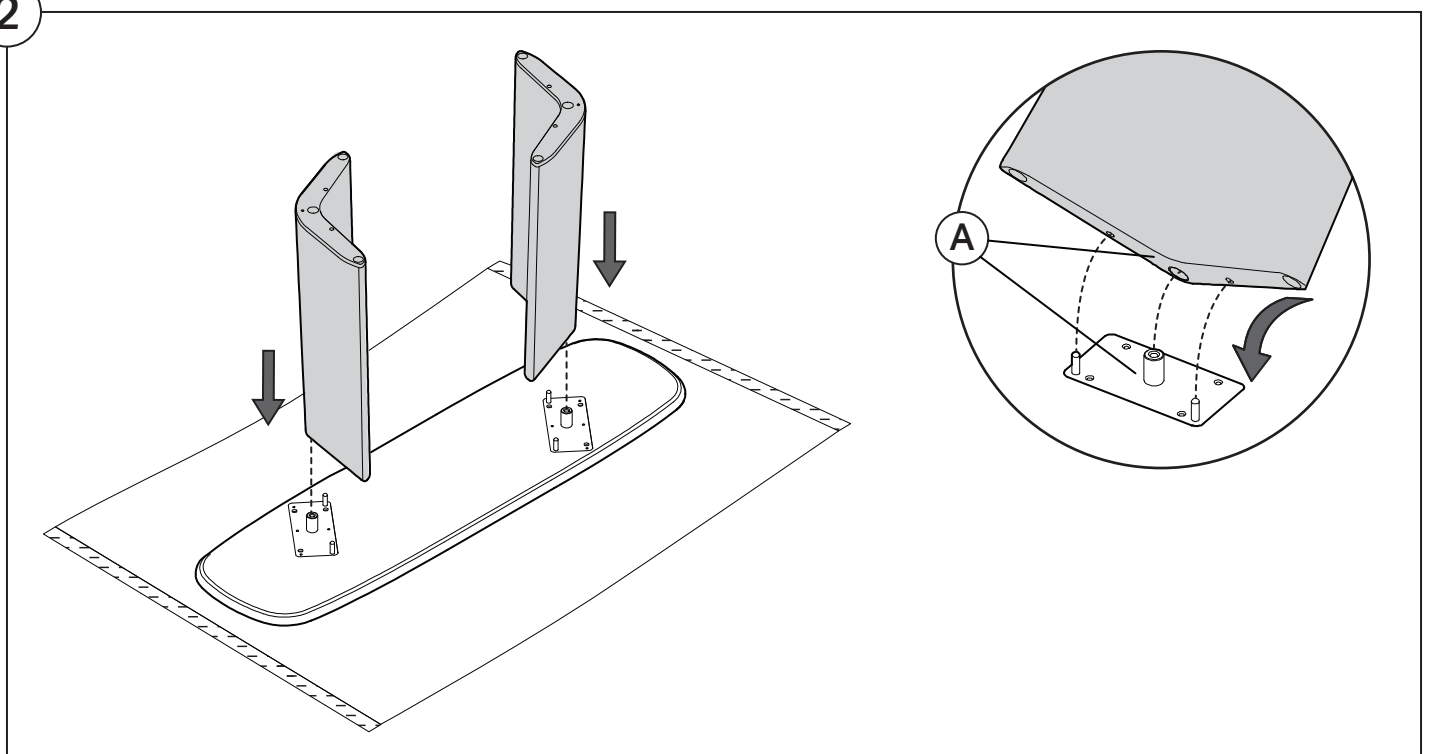
DO NOT use a knife to open the King boxes as you may damage your furniture. Peel off the tape, then lift & separate the cardboard flaps to open.

Assemble your furniture by following the instructions below.

1

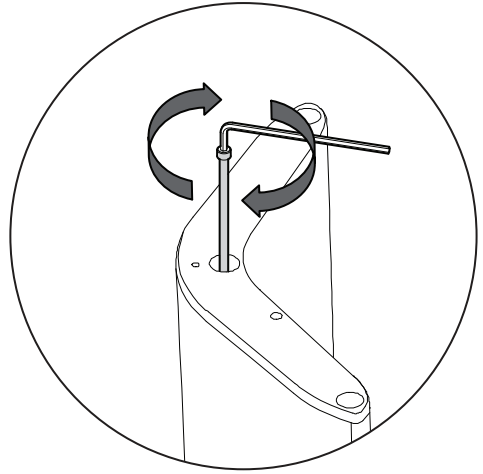
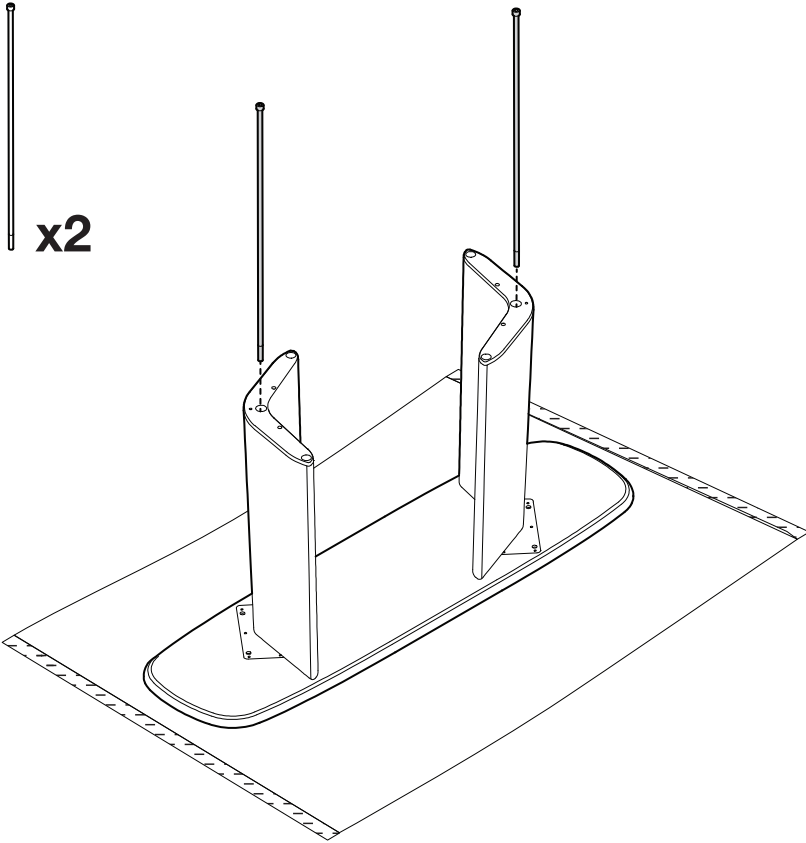


2



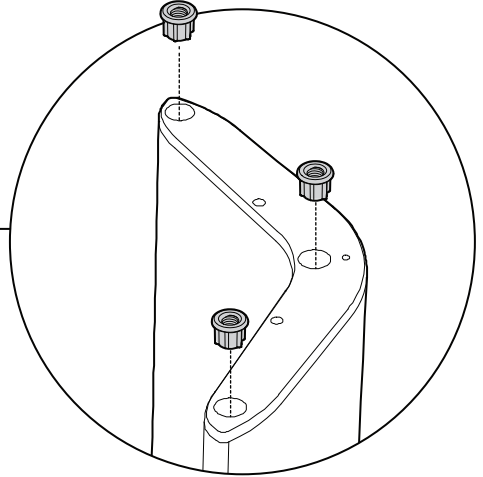
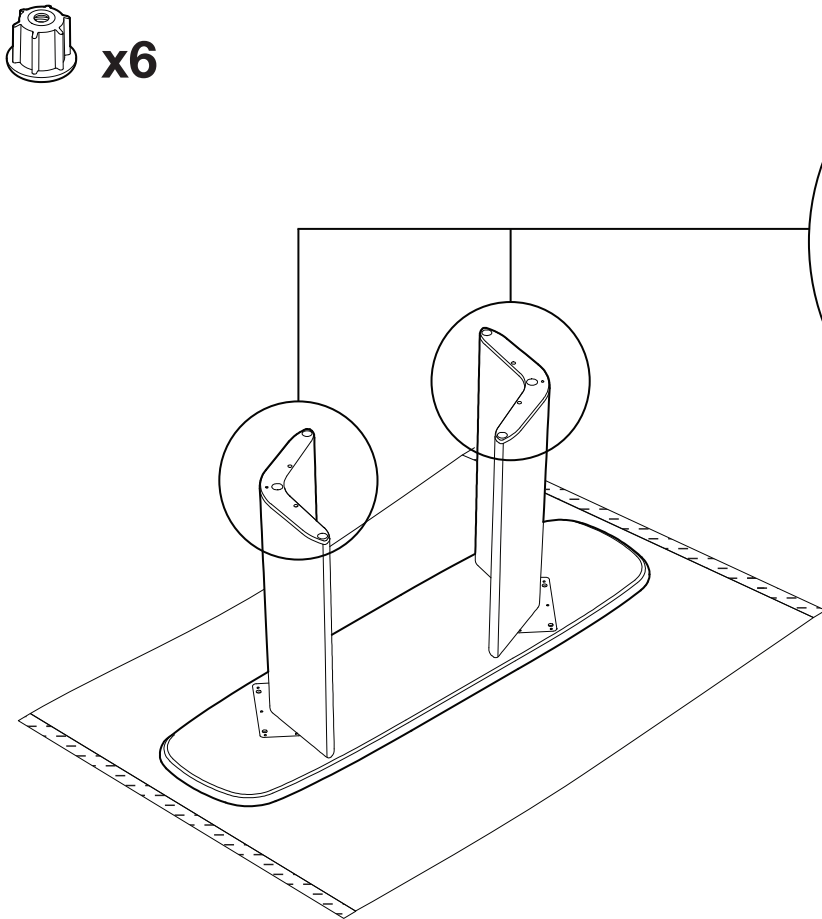
3

x2

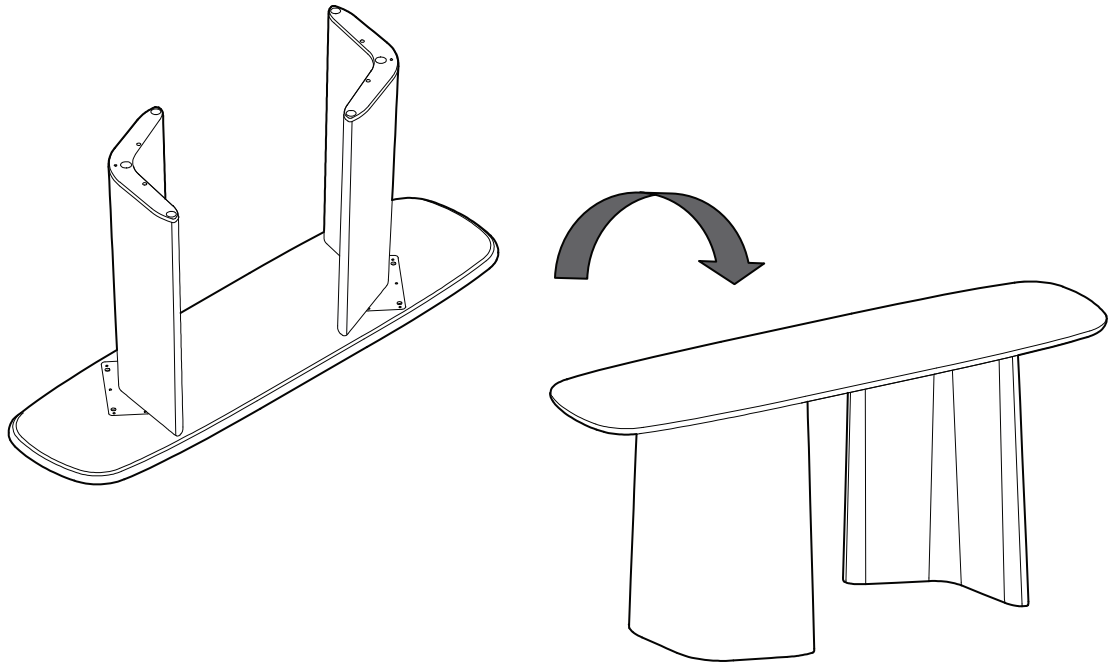


4

x6



5



## Adjustable Footcaps

1

