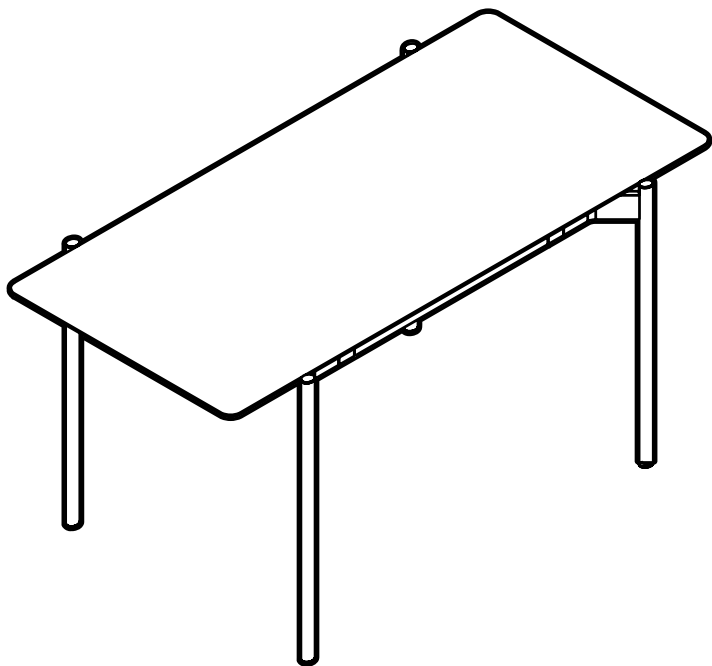


# Eto

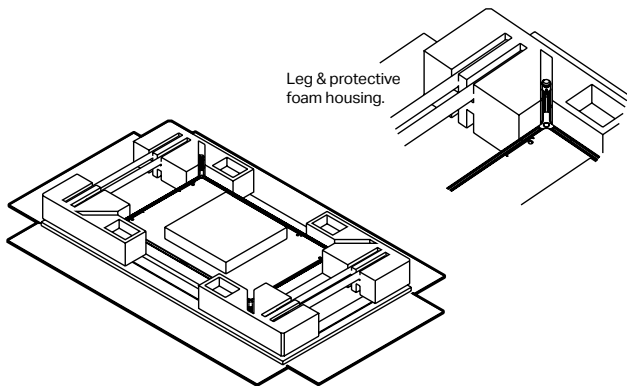
*King Living x Tom Fereday*



Assembly Instructions

# Step 1

Ensure box is in correct orientation.  
Flatten sides of box to expose the  
desk top and legs in protective  
foam housing.

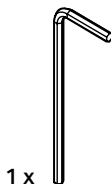


---

## Box contents

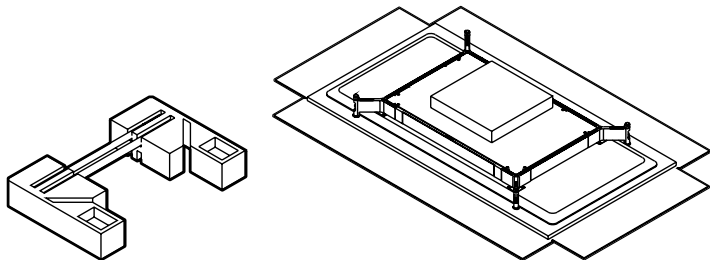
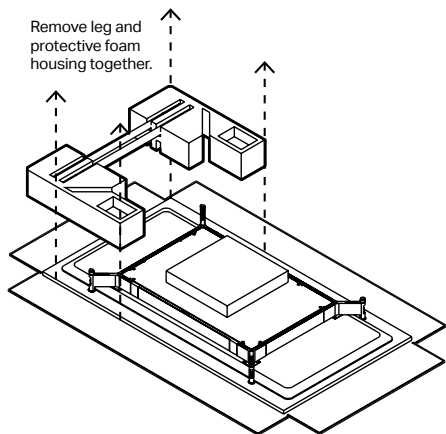


4 x  
2 x Left  
2 x Right



# Step 2

Remove leg and protective foam housing in one unit.



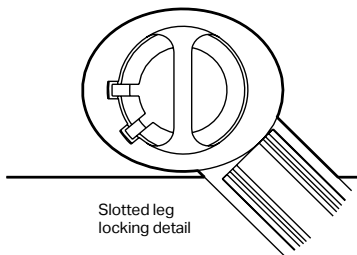
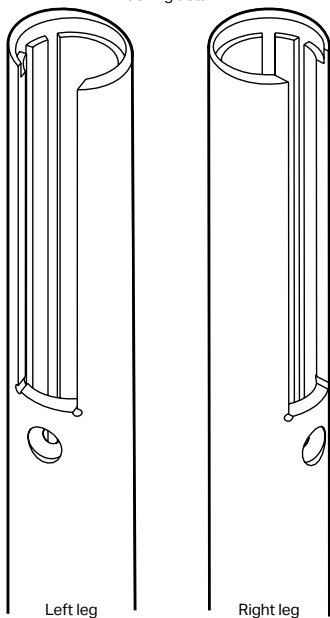
# Step 3

Gather the legs.

## **NOTE**

The legs contain a special slotted locking system that are left and right specific as seen below.

Slotted leg  
locking detail



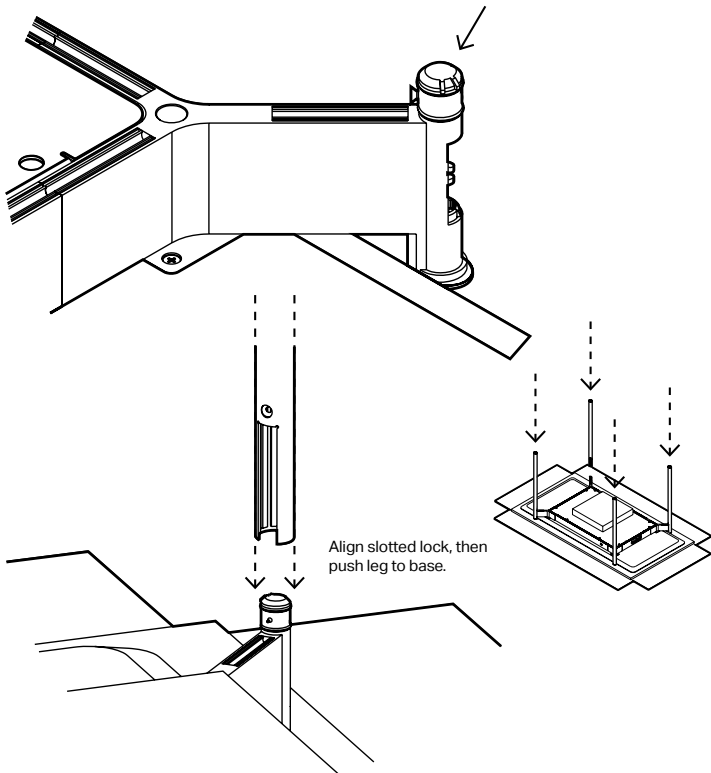
# Step 4

Align left and right legs to the correct key locks and push legs to the base.

## **NOTE**

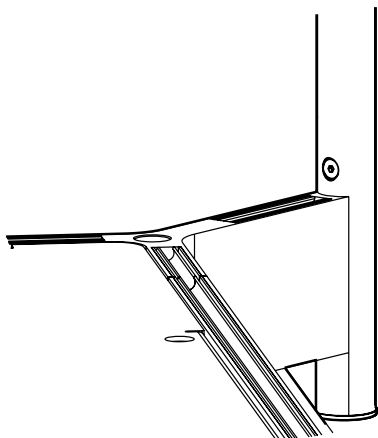
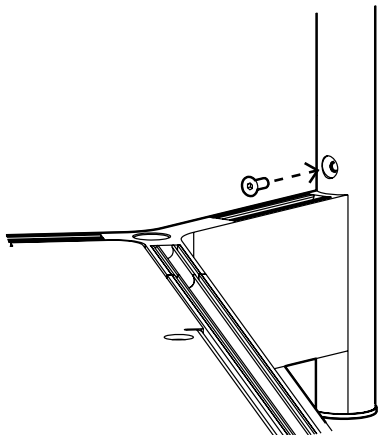
The rubber O Rings will provide a firm fit. Do not remove.

Ensure O Rings remain attached. The fit will be firm and snug.



# Step 5

Screw in to secure the legs.





[kingliving.com](http://kingliving.com)