

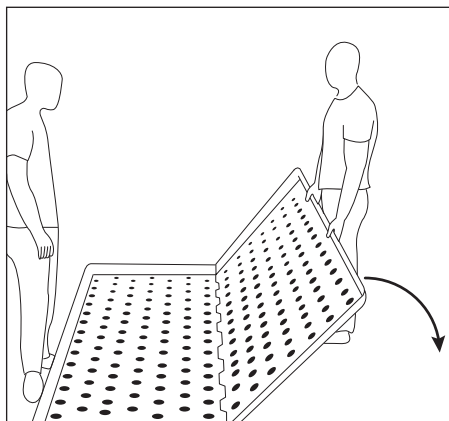
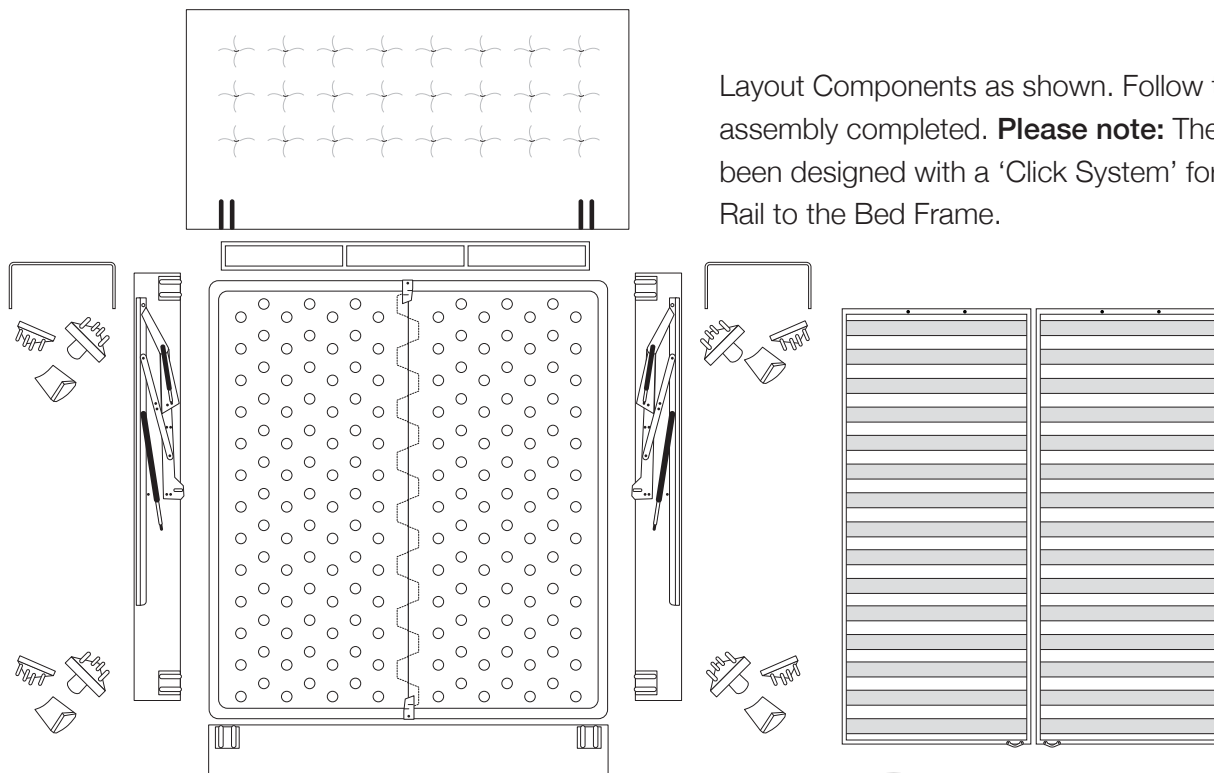
Serenade

Assembly Instructions

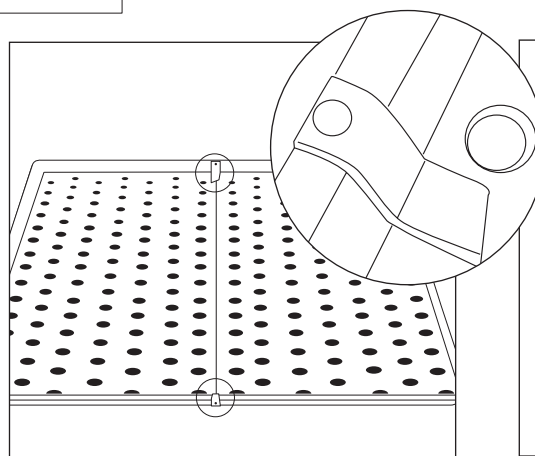
Two people are required for Safe Assembly.

KING[®]
L I V I N G

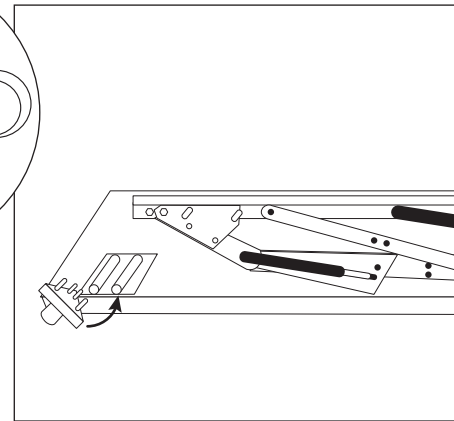
Layout Components as shown. Follow the Steps until assembly completed. **Please note:** The Serenade has been designed with a 'Click System' for attaching the Bed Rail to the Bed Frame.



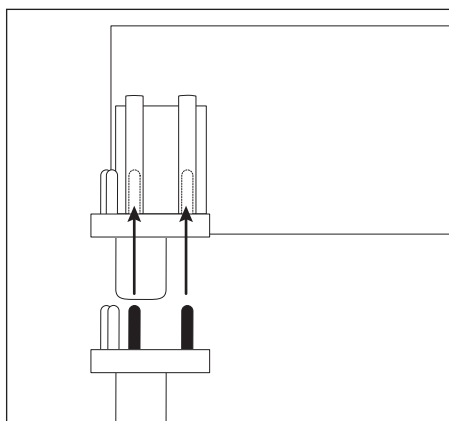
1 Connect tub halves.



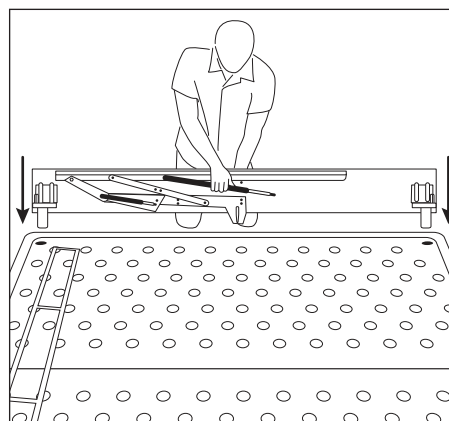
2 Connect & secure tub halves.



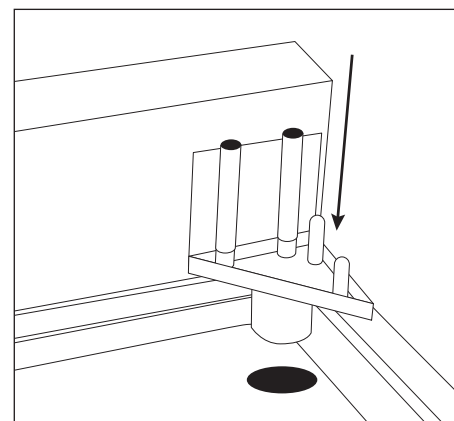
3 Connect leg to side.



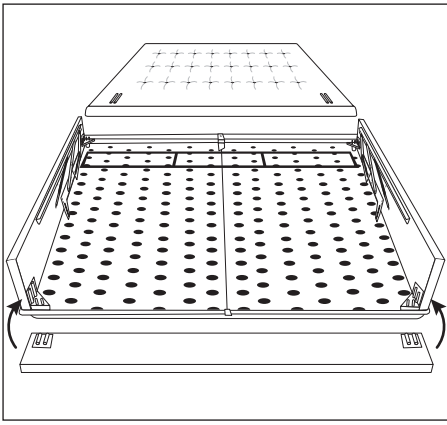
4 Connect leg to side.



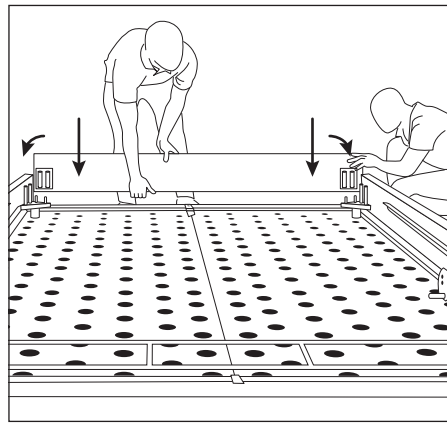
5 Lower side onto tub.



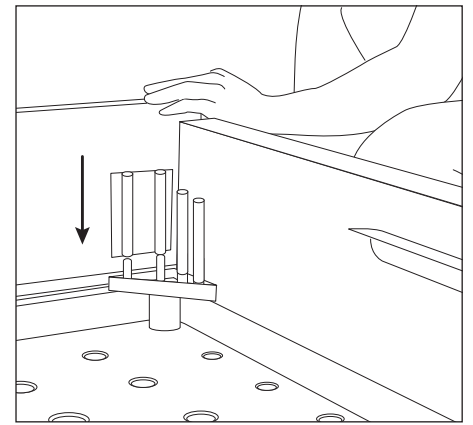
6 Line up legs to the tub indents.



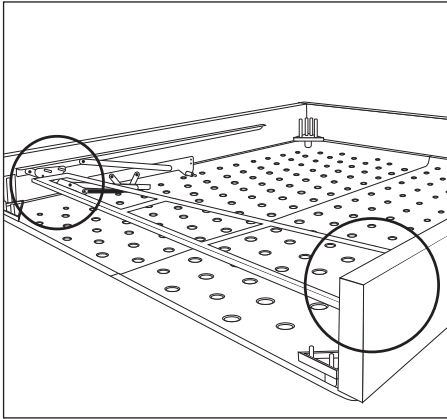
7 Repeat for both sides.



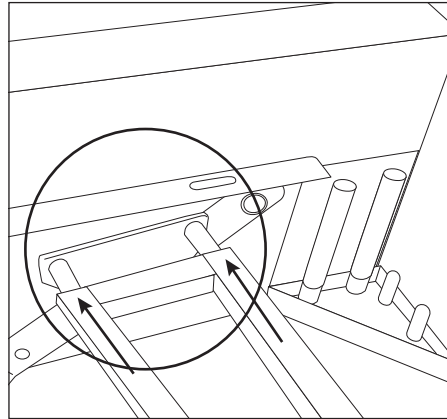
8 Lower bed end onto tub.



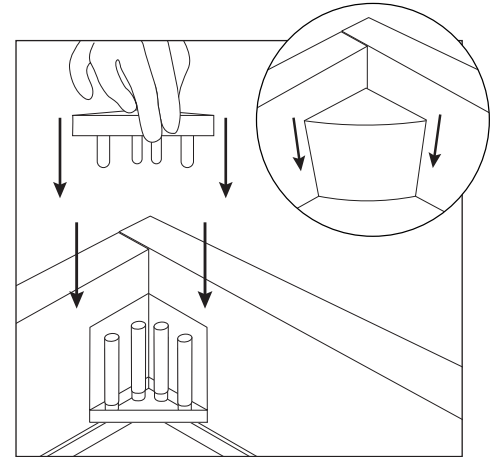
9 Connect to sides using leg pins.



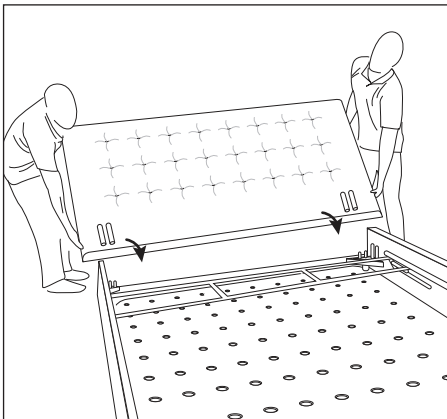
10 Attach one end of spreader rail.



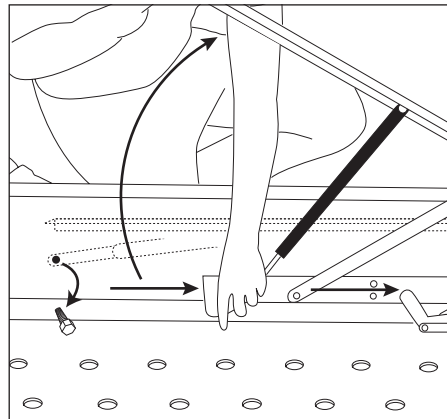
11 Attach other end of spreader rail and push together.



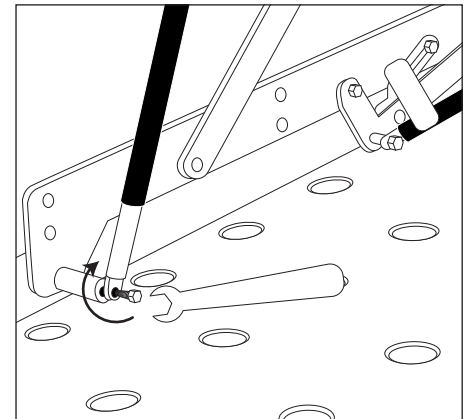
12 When sides joined with the head & end, cover the exposed corner leg pins with triangle pieces – as shown.



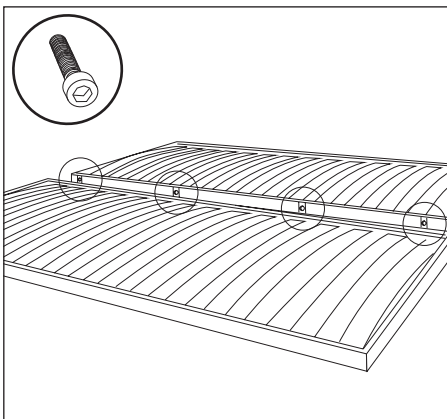
13 Lower bed head onto tub and leg pins.



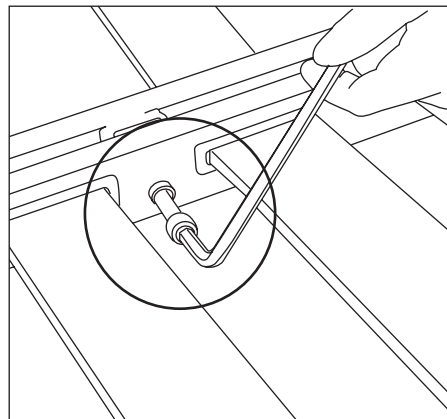
14 Unscrew the bolt to release the transport securing mechanism. Take care not to scratch the timber.



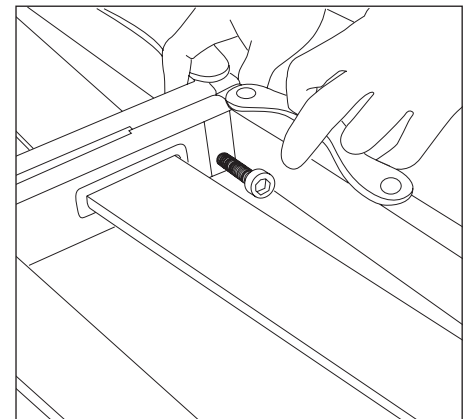
15 Screw-in the bolt to secure lever arm in the correct position.



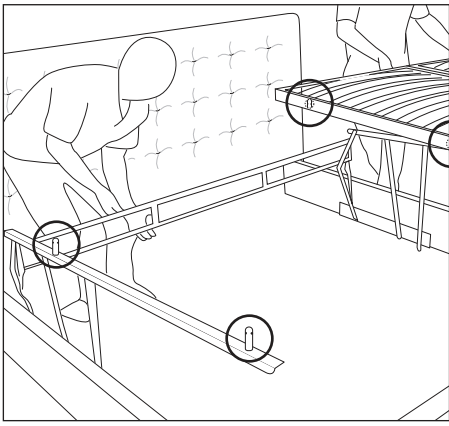
16 Connect frame together with four (4) bolts.



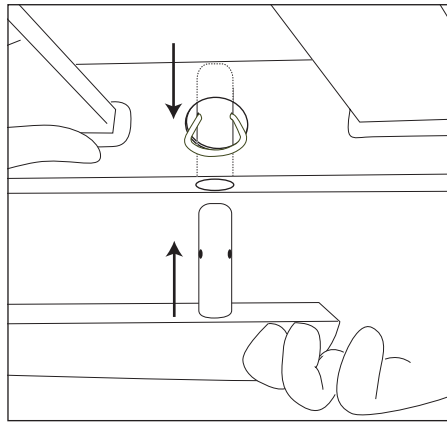
17 Screw in securely with the provided Allen Key.



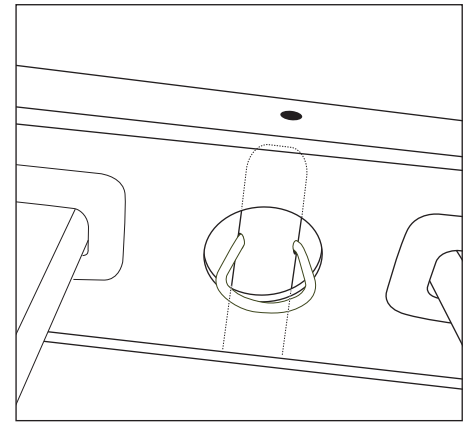
18 Ensure all four (4) bolts are secured.



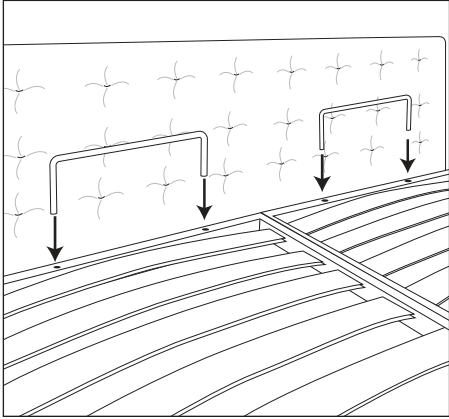
19 Click System: With bed in bed-making position, lower frame onto bed rail. Line-up knobs with receivers.



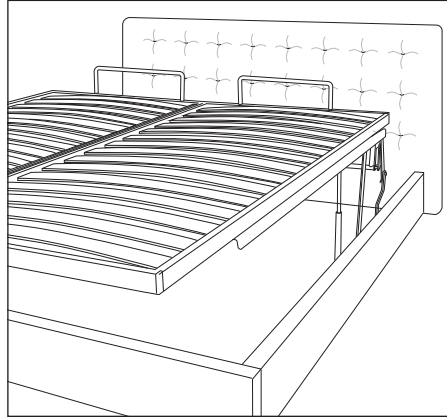
20 Click System: Push-in until all four (4) connectors 'click' securely.



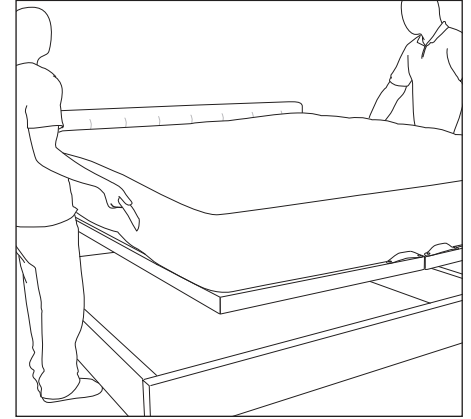
21 Click System: Bed frame is now secured to bed rail.



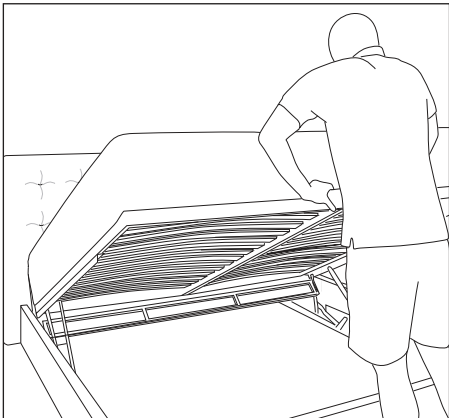
22 Line-up mattress supports with receiving holes and push the supports into bed frame.



23 With bed still open, tighten all screws & bolts to ensure bed frame, bed rail and bed base are all securely attached.



24 Place mattress on top of bed frame carefully.



25 Close the assembled bed.

**KING LIVING
CUSTOMER CARE:**

AUSTRALIA:
T 1300 135 464
E service@kingliving.com.au
W kingliving.com.au

NEW ZEALAND:
T 0800 546 422
E service@kingliving.co.nz
W kingliving.co.nz

SINGAPORE:
T +65 6805 4198
E kingcare@kingliving.com.sg
W kingliving.com.sg

MALAYSIA:
T +603 7732 0272
E service@kingliving.my
W kingliving.my