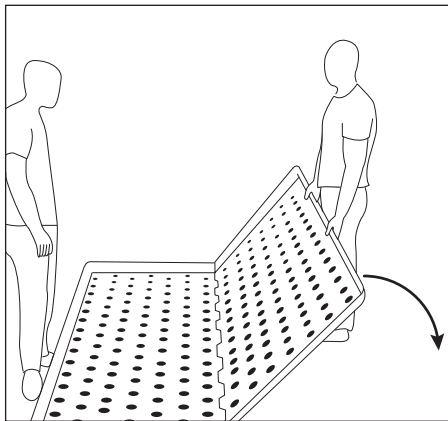
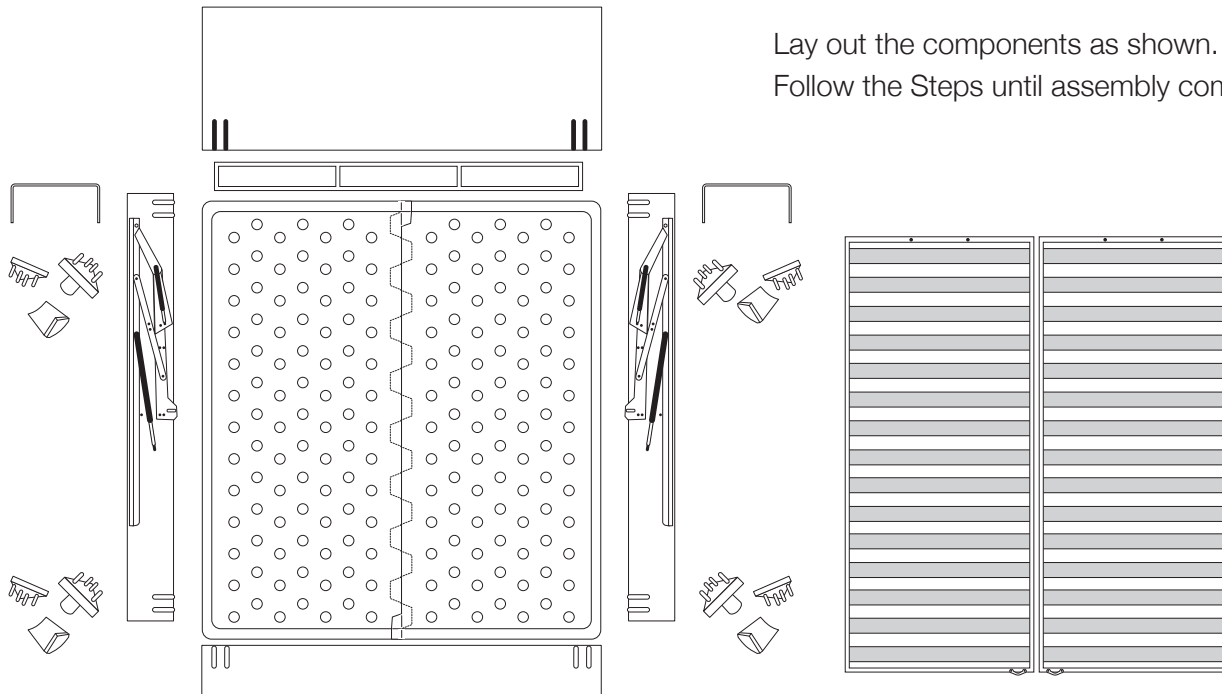


Serenade Soft

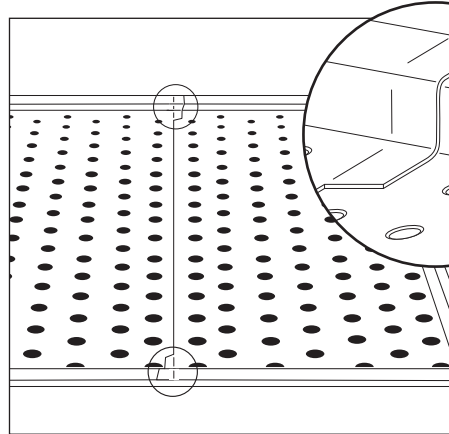
Assembly Instructions

Two people are required for safe assembly.

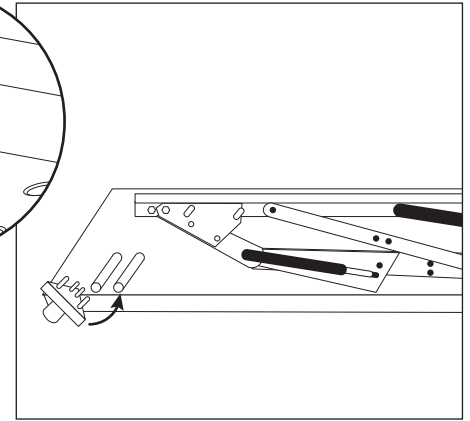
KING[®]
L I V I N G



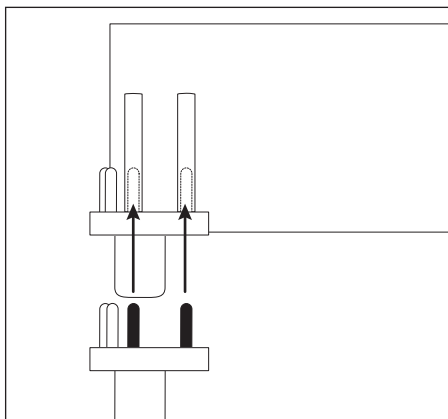
1 Connect tub halves.



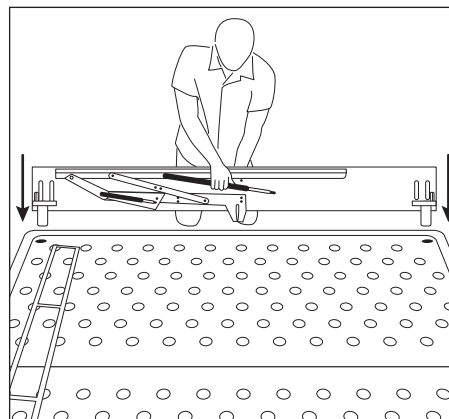
2 Connect & secure tub halves.



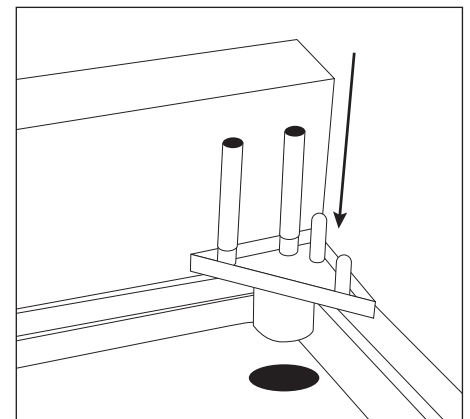
3 Connect leg to side.



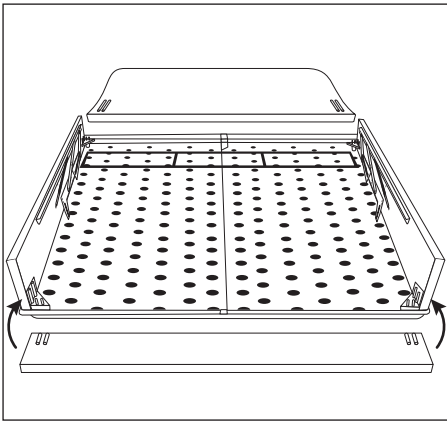
4 Connect leg to side.



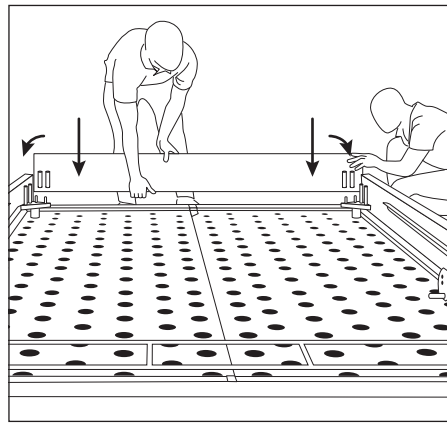
5 Lower side onto tub.



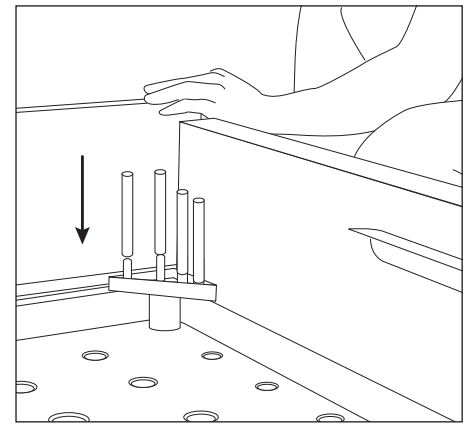
6 Line up legs to the tub indents.



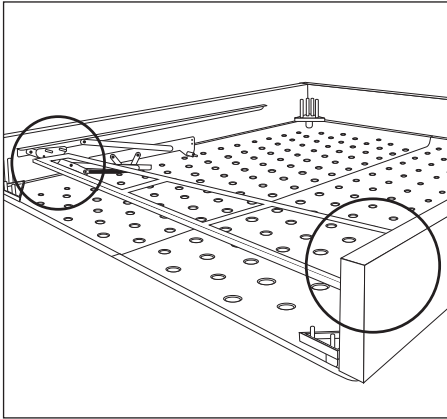
7 Repeat for both sides.



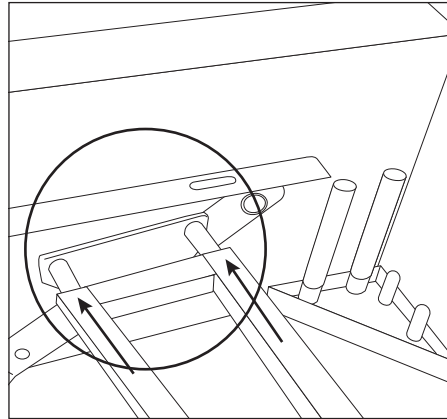
8 Lower bed end onto tub.



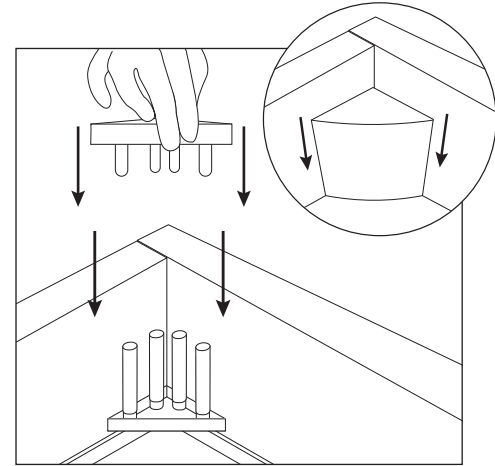
9 Connect bed end to sides using the leg pins.



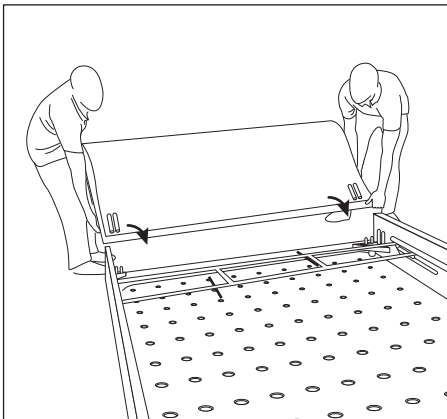
10 Attach one end of spreader rail.



11 Attach other end of spreader rail and push together.



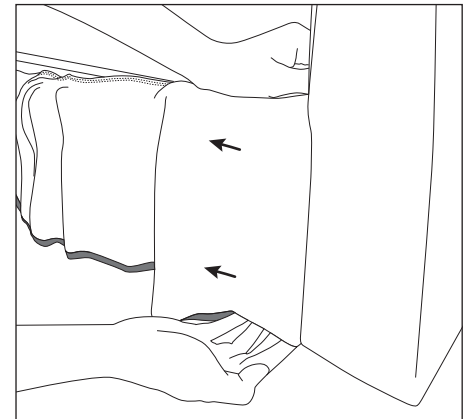
12 When sides joined to the head & end, cover the exposed corner leg pins with triangle pieces - as shown.



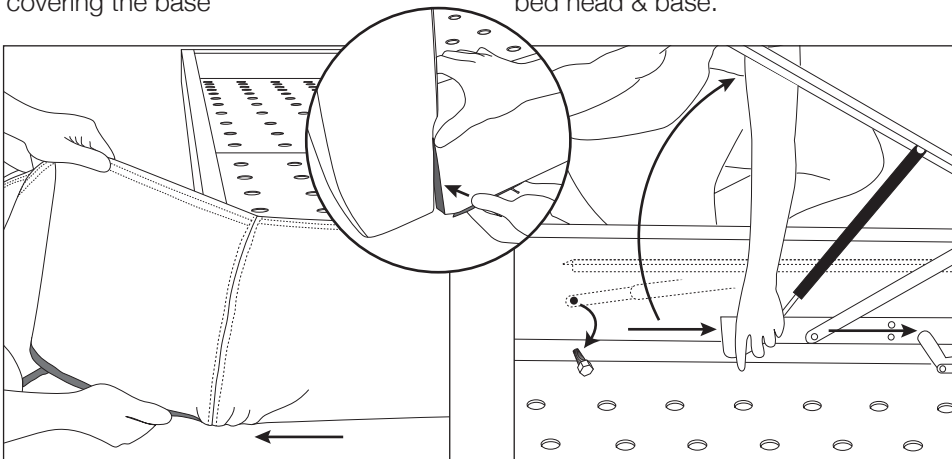
13 Lower Bed Head onto tub and leg pins. You are ready to start covering the base



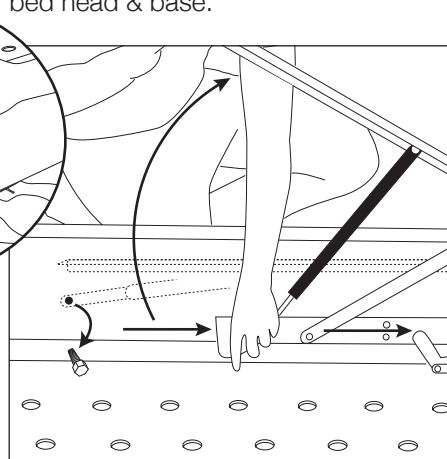
14 The cover has a plastic tab at each end. Insert first plastic tab between bed head & base.



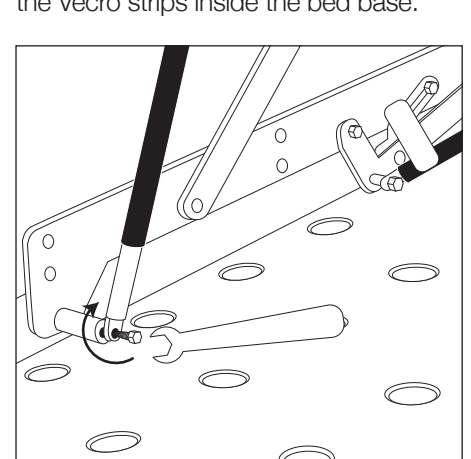
15 Fasten cover all around bed base. Secure top & bottom edges of cover to the Vicro strips inside the bed base.



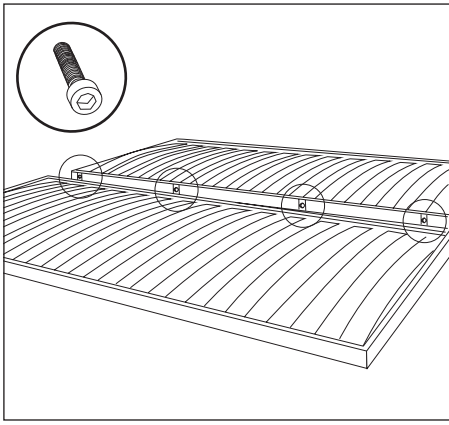
16 Continue fastening cover all around bed base. To finish, Insert the second plastic tab between bed head & base.



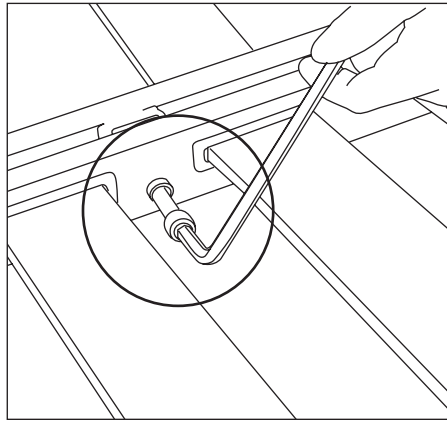
17 Unscrew the bolt to release the transport securing mechanism. Take care not to scratch the timber.



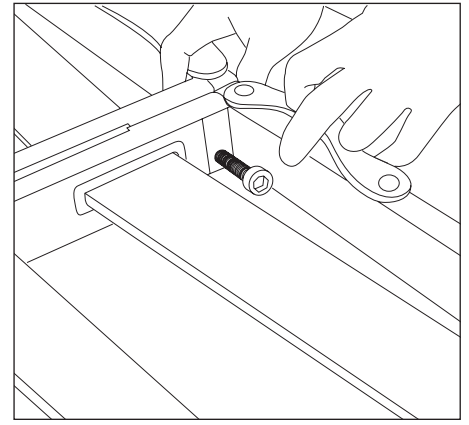
18 Screw-in the bolt to secure lever arm in the correct position.



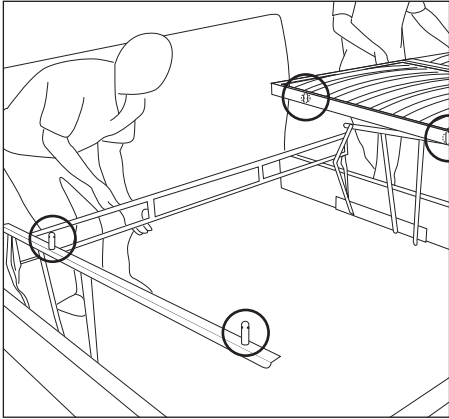
19 Connect frame together with four (4) bolts.



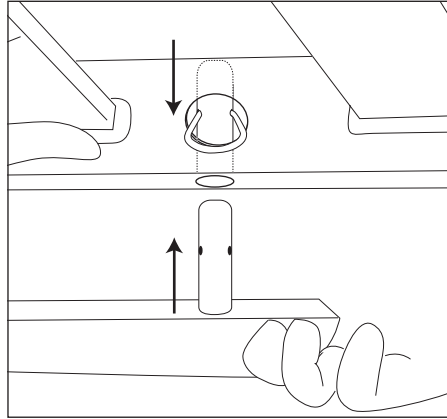
20 Screw in securely with the Allen Key.



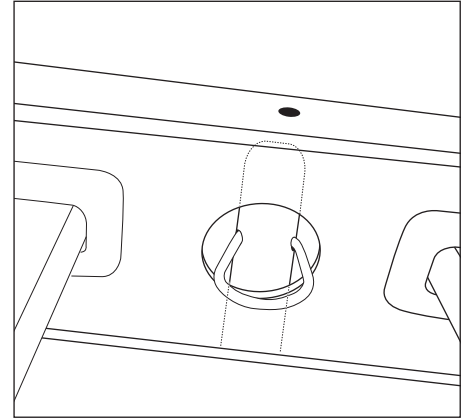
21 Ensure all four (4) bolts are secured.



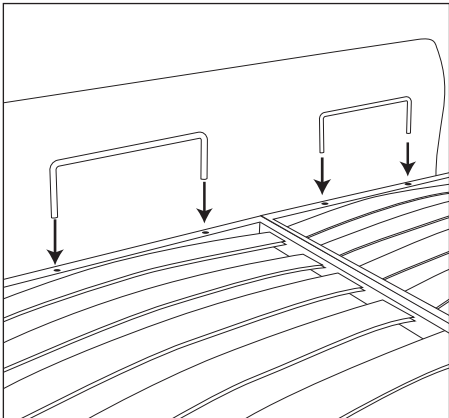
22 With bed in bed-making position, lower frame onto bed rail. Line-up knobs with receivers.



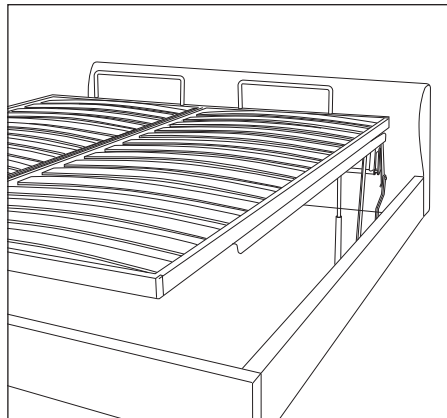
23 Push-in until all four (4) connectors 'click' securely.



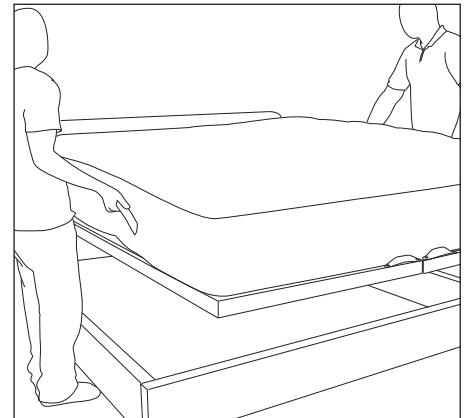
24 Bed frame is now secured to bed rail.



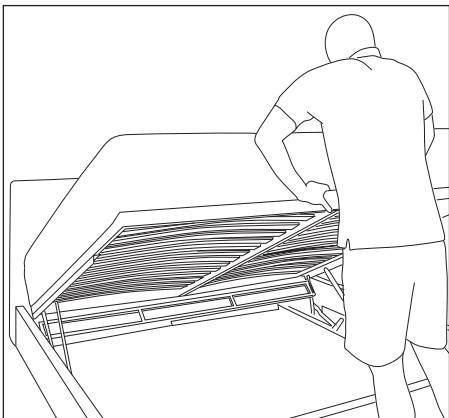
25 Line-up mattress supports with receiving holes and push the supports into bed frame.



26 With bed still open, tighten all screws & bolts to ensure bed frame, bed rail and bed base are all securely attached.



27 Place mattress on top of bed frame carefully.



25 Close the assembled bed.

**KING LIVING
CUSTOMER CARE:**

AUSTRALIA:
T 1300 135 464
E service@kingliving.com.au
W kingliving.com.au

NEW ZEALAND:
T 0800 546 422
E service@kingliving.co.nz
W kingliving.co.nz

SINGAPORE:
T +65 6805 4198
E kingcare@kingliving.com.sg
W kingliving.com.sg

MALAYSIA:
T +603 7732 0272
E service@kingliving.my
W kingliving.my